

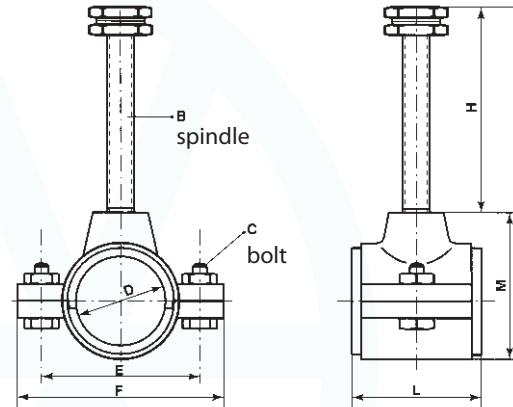


Accessories

Adjustable hanging bearings

Adjustable hanging bearings from VAV are available from stock in shaft sizes 40, 50 and 60 mm. Larger shaft sizes are also available on request. The hanging bearings are made of cast iron, bronze or stainless steel.

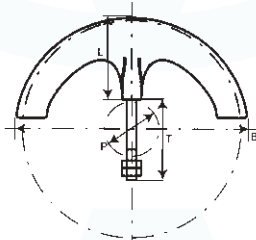
Available with inserts of Nylon, bronze, Teflon, PTFE or acetal. Complete with spindle M24 with a length of 165 - 320 mm. These spindles are equipped with a lubricating channel $\varnothing 8$ mm with a connection for 1/4 „gas. A galvanized version as standard, but also available in stainless steel.



Adjustable hanging bearings (parameters in mm)

D	F	E	L	M	H	B	C	Weight (kg)
40	100	70	70	90	135	M 24	M10 x 45	1,9
50	125	94	75	110	200	M 24	M12 x 50	3,3
60	150	120	85	128	240	M 24	M16 x 65	5,0

Pallets



Pallets (parameters in mm)

Type	Pallet width (B)	Pallet height (L)	pipe \varnothing (P)	thread	taping length (T)	number per meter
100	96	34	43	M 10	45	17
125	128	38	43	M 10	55	17
150	150	55	43	M 10	65	14
180	181	60	50	M 12	70	13
200	215	70	50	M 12	75	13
250	265	95	60	M 14	70	9
300	318	115	60	M 16	90	8
400	407	155	70	M 16	95	7

