

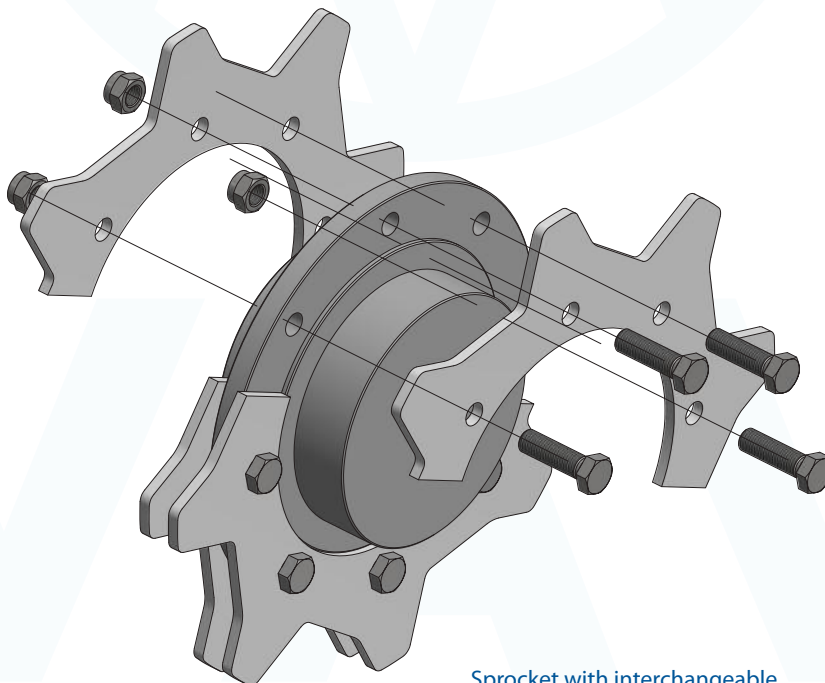


## Sprockets for drop forged chain

Sprockets for drop forged chain consist of a body with symmetrical hub and interchangeable teeth segments. This has the advantage that, when the sprockets wear out, only the wear-resistant teeth segments need to be replaced. Sprockets can be made to your specifications on request. The following versions are available ex stock.

Sprockets for drop forged chain available ex stock (parameters in mm)

Pitch	Pitch $\varnothing$ / number of segments per complete set				
	6 teeth	7 teeth	8 teeth	9 teeth	10 teeth
102	$\varnothing$ 204,00 / 4	$\varnothing$ 235,09 / 4	$\varnothing$ 265,49 / 4	$\varnothing$ 298,23 / 4	$\varnothing$ 330,08 / 4
125	$\varnothing$ 250,00 / 4	$\varnothing$ 288,10 / 4	$\varnothing$ 326,64 / 4	$\varnothing$ 365,48 / 4	$\varnothing$ 404,51 / 4
142	$\varnothing$ 284,00 / 4	$\varnothing$ 327,28 / 4	$\varnothing$ 371,06 / 8	$\varnothing$ 415,18 / 6	$\varnothing$ 459,52 / 4
150	$\varnothing$ 300,00 / 6	$\varnothing$ 345,71 / 4	$\varnothing$ 391,97 / 8	$\varnothing$ 438,57 / 4	$\varnothing$ 485,42 / 10
160	$\varnothing$ 320,00 / 4	$\varnothing$ 368,76 / 4	$\varnothing$ 418,10 / 8	$\varnothing$ 467,81 / 4	$\varnothing$ 517,77 / 4
200	$\varnothing$ 400,00 / 4	$\varnothing$ 460,95 / 4	$\varnothing$ 522,62 / 8	$\varnothing$ 584,76 / 4	$\varnothing$ 647,21 / 4



Sprocket with interchangeable teeth segments (8 teeth)